

# Ultra Arc Series<sup>®</sup> II

## Long Throw Followspot



### DESCRIPTION

The Ultra Arc Series II followspot from Strong Lighting sets the standard for efficiency and operational simplicity in the entertainment industry.

Featuring the Osram HTI lamp and a specially designed dichroic reflector, the Series II combines maximum lumen output with optimal flatness of field. The HTI has a rated life of 250 hours at a constant color temperature of 5600° K.

Designed for throws from 100 feet to 300 feet, the Series II lens system optimizes lamp output with coated optics and a precision relay lens system. This combination makes the Series II a competitor with other less efficient spotlights using 1000W – 2000W discharge lamps. The Series II solid-state electronic ballast draws less than 8 amps and operates on standard 120 volt 50/60 Hz AC power.

Options include custom road case and 220/240 50Hz volt operation.

Affordability, quality construction and ease of handling ensure that Ultra Arc followspots meet the needs of any production, from small schools, clubs and churches to stadium scale entertainment facilities.

### FEATURES

- throws from 100-300 feet
- 4:1 zoom range
- draws less than 8 amps
- 250 hour lamp life
- dowser, iris and clipper
- built-in, six-color automatic color changer
- steep 70° downward tilt and 60° upward tilt
- full 360° horizontal sweep
- superb lumen maintenance
- hour meter
- lightweight aluminum housing, bulkheads and components
- built-in solid-state ballast
- sturdy 4-point collapsible base
- quiet and cool running
- easy to transport, easy to operate, easy to afford

### OPTIONS

#### CUSTOM ROAD CASE

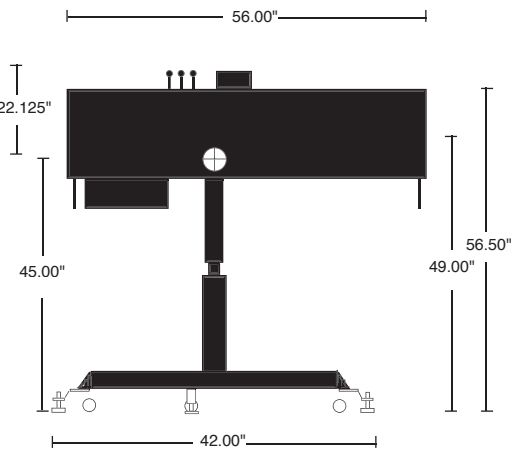
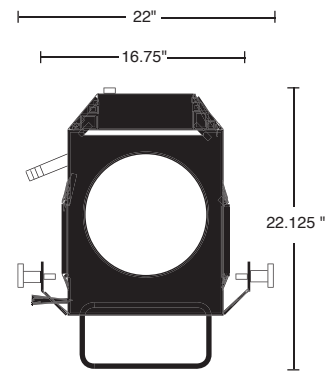
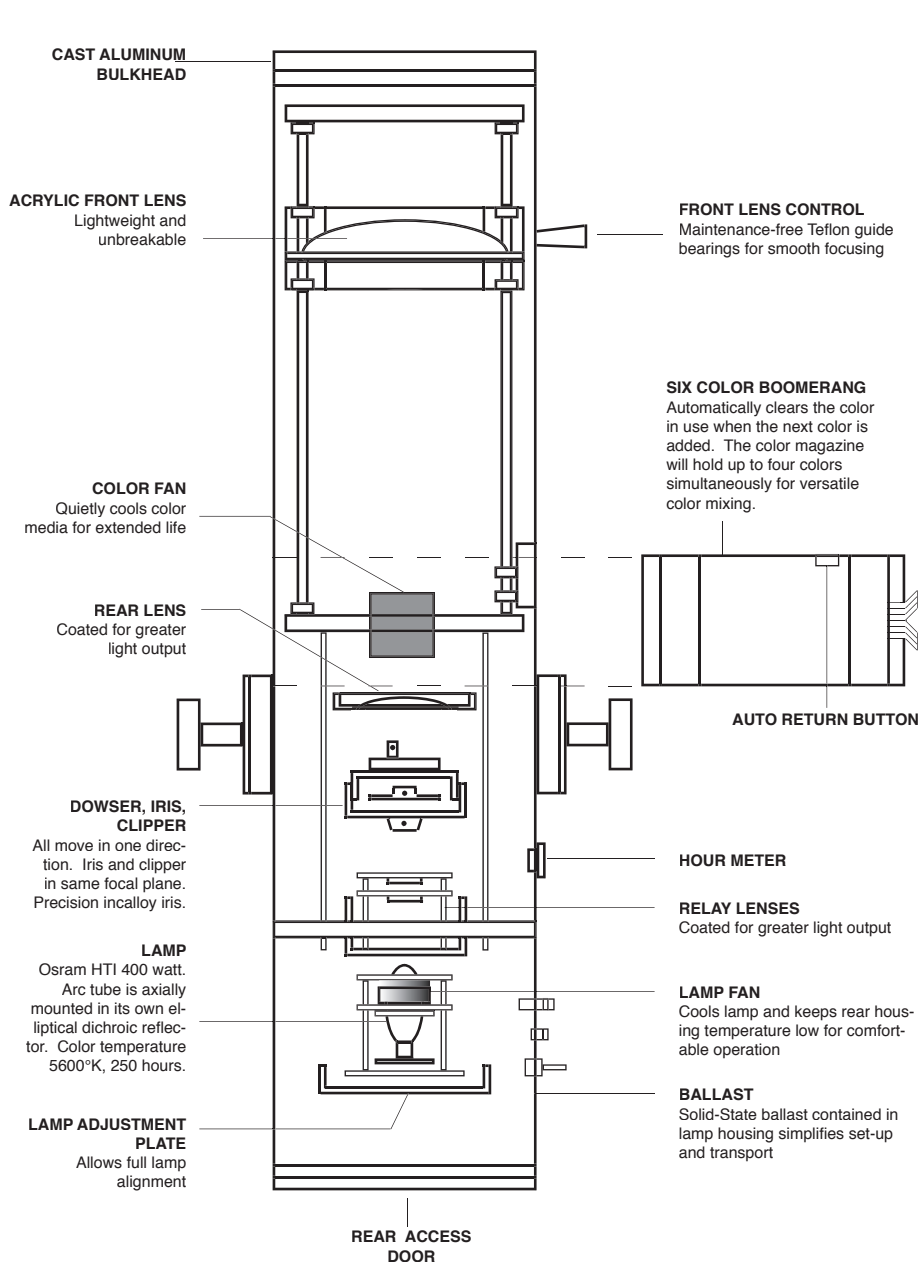
Custom road case rugged, fiberglass coated, lightweight. Designed specifically for the Ultra Arc Series II.

Available for 220/240 volt 50 Hz operation.



**Strong**  
Lighting

10533 Chandler Rd, Suite 101  
La Visa, NE 68128  
Tel. 402-506-9096  
[www.strong.lighting](http://www.strong.lighting)



### SPECIFICATIONS

Head Length	56.00"
Overall Head Height	22.125"
Overall Height w/Base	56.50"
Height of Pivot Point	45.00"
Floor to Beam Center	49.00"
Base Width	42.00"
Front Clearance Radius for:	
Vertical Movement	36.00"
Horizontal Movement	36.00"
Rear Clearance Radius for:	
Vertical Movement	25.00"
Horizontal Movement	23.50"
Maximum Height at Rear with Downward Tilt	70.00"
Maximum Height at Front with Upward Tilt	81.00"
Maximum Downward Tilt From Horizontal	70°
Maximum Upward Tilt From Horizontal	60°
Horizontal Sweep	360°
Lamp	HTI 400 Watt
Power Requirement	8 amp 120 VAC
Cord Length	11' 6"
Total Operating Weight Including Base	125 lbs

Series II Long Throw Optical System Performance At Various Distances

Throw In Feet	Spot			Flood		
	Min Diam	Max Diam	Footcandles	Min Diam	Max Diam	Footcandles
50	5"	30"	2600	1'	8'	288
75	8"	4'	1155	1' 6"	12'	128
100	10"	5'	650	2'	16'	72
150	15"	7' 6"	289	3'	24'	32
200	1' 9"	10'	162	4'	32'	18
300	2' 6"	16'	72	6'	49'	8