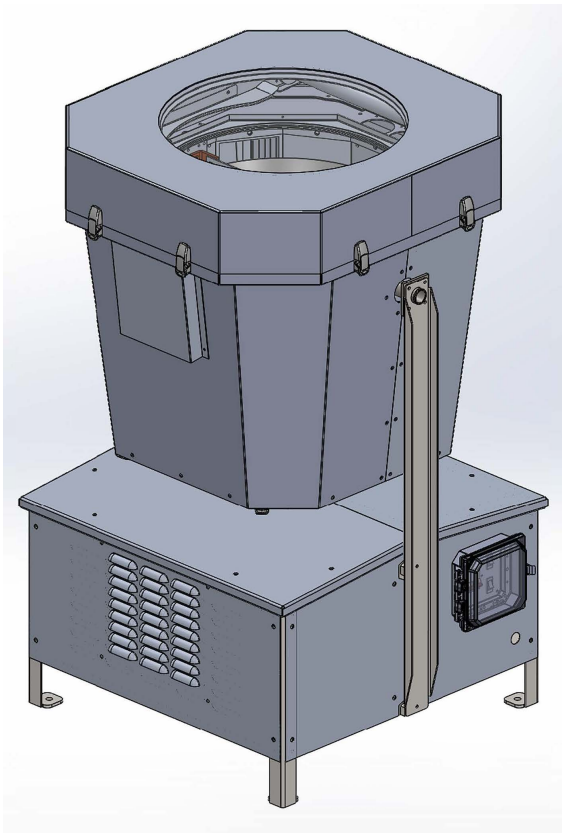


***The ultimate Xenon searchlight.
The Savanna is the brightest
skylight light available in the world.***

The Strong Lighting Savanna AR is ideal for outdoor architectural applications. It can be configured as a static Xenon skylight with or without a douser and/or scroller. It features innovative Xenon lamp technology with 90+ CRI. The Savanna's versatility as a sky beam, spotlight or a full flood wash makes it the ultimate large format lighting fixture.

The Savanna features a number of exclusive proprietary innovations including optional holographic micro lens light-shaping diffusers for control of light distribution. Dimming and output is accomplished via an optional high speed Venetian blind douser. The Savanna is IP43 rated and is intended for permanent outdoor installation.



FEATURES

- Four mounting plates that allow for fixed mounting or adjustable leveling.
- Optional fixed or scrollable light-shaping diffuser film lenses, available from 5° to 80° and in various anamorphic ratios including 60° x 10°, 30° x 5°, 75° x 35°, 40° x 0.2° and 95° x 35°.
- Remote ON/OFF control via DMX with RDM
- Beam Shaping Gobos are available as fixed patterns, scrolling motion effects, with color and as transparent patterns on VFL lenses.
- Highest Output through proprietary technologies, such as our extremely efficient HP reflectors, to insure the maximum luminous output per watt of any production large-format Xenon luminaire

All Strong Lighting searchlight products are available in an array of custom configurations ranging from static to fully automated, weatherized, open white, collimated Skybeams or dynamic wash lights, variable film lensing, color correction filters (CTO, CTB, and CTS), with or without automated douser.

SPECIFICATIONS

Source:	7000 Watt Xenon	Pan:	Mechanically Fixed
Life:	750 Hours	Tilt	Mechanically Fixed
Color Temperature:	5600	Color Changer:	Optional 6 Frame Scroller
CRI:	90+	Lens Module:	Optional VFL holographic microlens light-shaping diffusers, Beam Shaping Gobos and FX Engines
Reflector:	Proprietary 20" High Performance	Ballast:	Electronic
Control:	DMX with RDM	Power Requirement:	480/277V 3-phase 5 wire 45A or 208V 3-phase 4 wire 60A
		Construction:	Powder-Coated Aluminum and Steel
Operation:	Opto-Isolated electronics, optional stepper motor operation	Mounting:	Four mounting plates
Strobe/Douser:	Optional High-speed Venetian-blind style douser	Weight:	568 lbs
Beam:	1.5° to 7.0°		

PHOTOMETRICS

7000W

Narrow Field of View	Throw Distance (Ft/m)	30/9.1	50/15.2	100/30.5	200/61.0	300/91.4
	Beam Diameter (Ft/m)	3.1/1.0	5.2/1.6	10.5/3.2	21.0/6.4	31.4/9.6
	Luminance (fc/lux)	21,200/230,407	7,632/82,583	1,908/20,511	477/5,128	212/2,284

Wide Field of View	Throw Distance (Ft/m)	30/9.1	50/15.2	100/30.5	200/61.0	300/91.4
	Beam Diameter (Ft/m)	9.5/2.9	15.8/4.8	31.7/9.7	63.4/19.3	95.0/29.0
	Luminance (fc/lux)	3,680/39,995	1,325/14,335	331/3,560	83/890	37/396

Beam Angle	Tn, Beam	Field Angle	Tn, Field	CBI (Candela)
5	0.087	6	0.105	19,080,000
9	0.157	18	0.317	3,312,000

Multiply throw distance by respective Tn factors to calculate beam and field diameters.
 Divide CBI (Candela) by distance squared to find center beam luminance.
 Distance in feet gives foot candles, distance in meters gives lux.